



# Design Guide

# Convection Steam Ovens

ICB REVISED 4/2023



## Convection Steam Ovens

The legacy of the “combination oven” goes back decades, to innovative chefs in America and Europe who embraced the combination of air movement with superheated steam to achieve superior results—from breads and roasts to delicate fishes, seafood, and vegetables. Wolf combines the benefits of convection and steam for the most innovative steam oven on the market today. Virtually any dish prepared in a conventional oven, range, or microwave can also be prepared in the Wolf Convection Steam Oven—with more control. Two widths and three distinct styles compliment the look of Wolf ovens, ranges, and cooktops. Convection Steam Ovens can be installed in a standard or flush inset application.

Features and specifications are subject to change at any time without notice.

Throughout this guide, dimensions may vary by  $\pm 3$  mm.

### CONVECTION STEAM OVENS

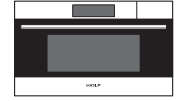
#### TRANSITIONAL



ICBCSO2450TE/S/T

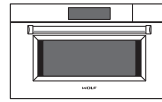


ICBCSO3050TM/S/T

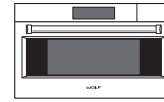


ICBCSO3050TE/S/T

#### PROFESSIONAL



ICBCSO3050PM/S/P



ICBCSO3050PE/S/P

#### CONTEMPORARY

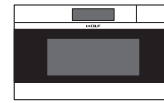


ICBCSO3050CM/B/T

#### CONTEMPORARY HANDLELESS



ICBCSO2450CM/S



ICBCSO3050CM/S

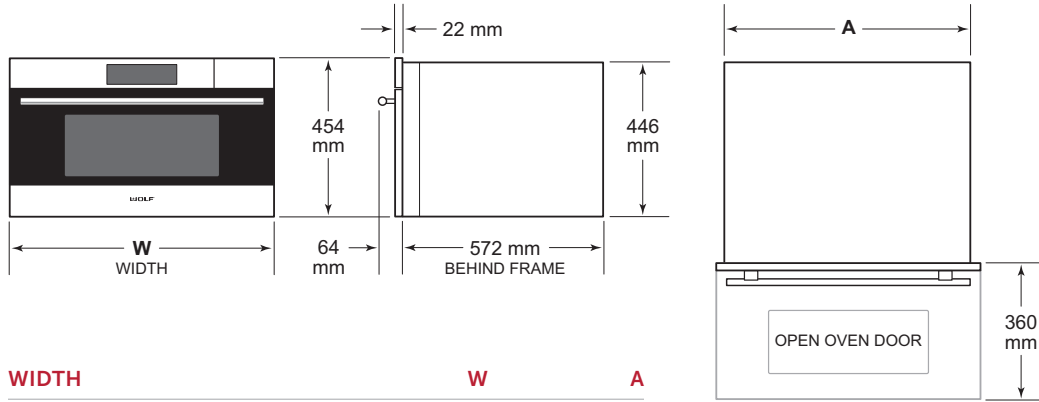


ICBCSO3050CM/B

# Convection Steam Ovens

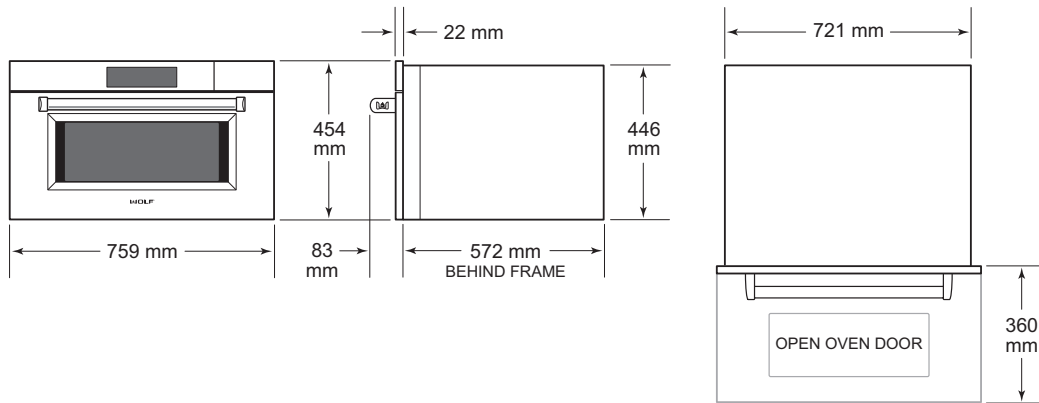
## Convection Steam Ovens

### TRANSITIONAL



WIDTH	W	A
60 cm Transitional	597 mm	546 mm
76 cm Transitional	759 mm	721 mm

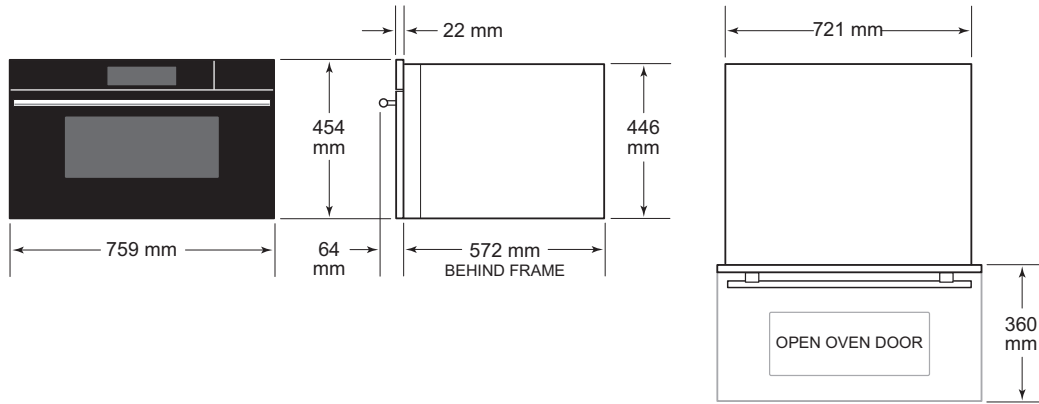
### PROFESSIONAL



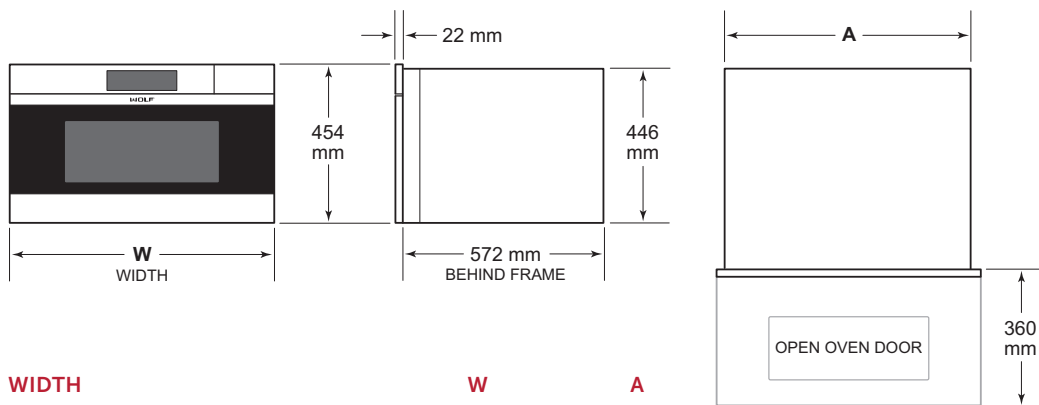
# Convection Steam Ovens

## Convection Steam Ovens

### CONTEMPORARY



### CONTEMPORARY HANDLELESS



WIDTH	W	A
60 cm Contemporary Handleless	597 mm	546 mm
76 cm Contemporary Handleless	759 mm	721 mm

## Planning Information

The Convection Steam Oven can be installed in a standard or flush inset application.

Finish the edges of the opening. They may be visible when the door is open.

For standard installations, the face trim overlaps stiles and rails. Refer to the chart below.

For flush inset installations, a minimum 3 mm reveal is required on all sides. To ensure consistent reveals, each corner of the opening must be exactly 90°.

### INSTALLATION REQUIREMENTS

Minimum Base Support	68 kg	
<b>TRIM OVERLAP</b>	<b>60 cm OVEN</b>	<b>76 cm OVEN</b>
Top	5 mm	5 mm
Bottom	0 mm	0 mm
Sides	22 mm	16 mm

### ELECTRICAL REQUIREMENTS

Installation must comply with all applicable electrical codes and be properly grounded (earthed).

For ease of installation, the electrical supply for the oven should be placed in an adjacent cabinet within reach of the conduit.

Performance may be compromised if the electrical supply is less than 230 volts.

The wiring dia-gram covering the control circuit is provided with the oven.

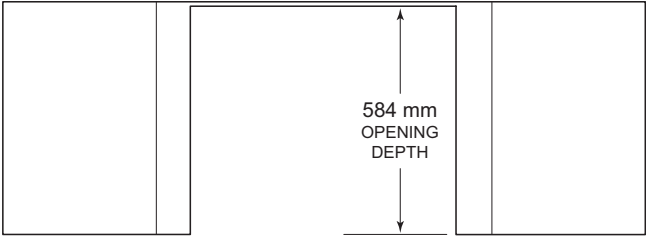
### ELECTRICAL REQUIREMENTS

Electrical Supply	grounded, 230 VAC, 50 Hz
Service	16 amp dedicated circuit
Cable Length	1.2 m
Total Amps	16
Max Connected Load	3.7 kW

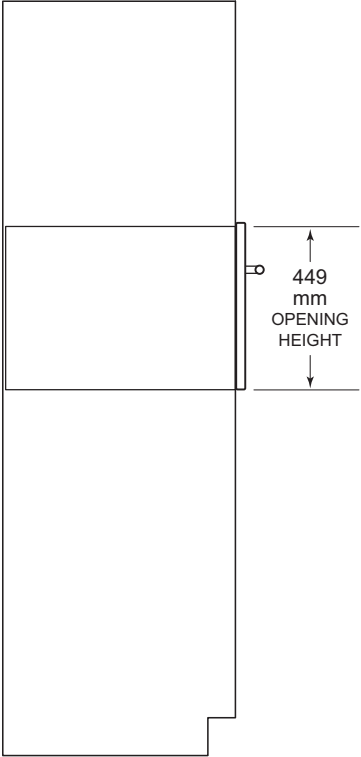
# Convection Steam Ovens

## Convection Steam Oven

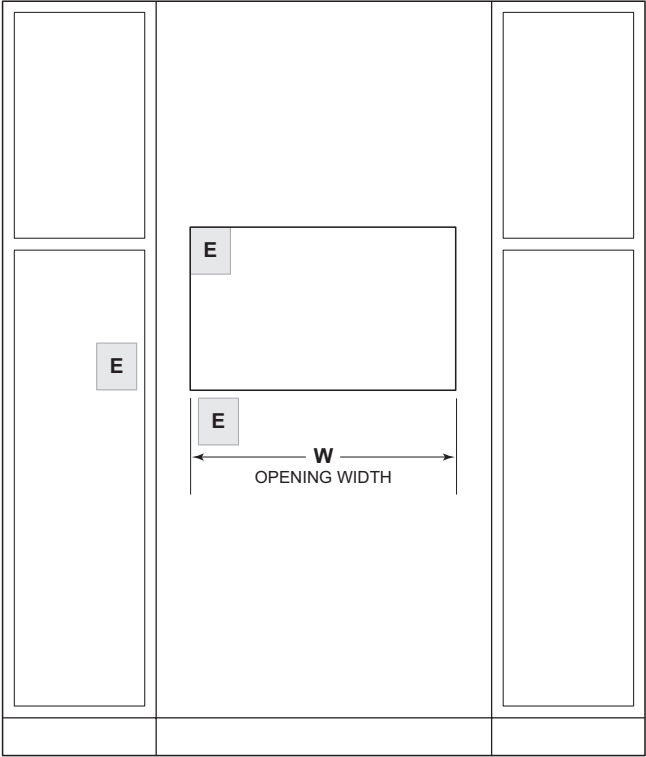
### STANDARD INSTALLATION



TOP VIEW



SIDE VIEW



FRONT VIEW

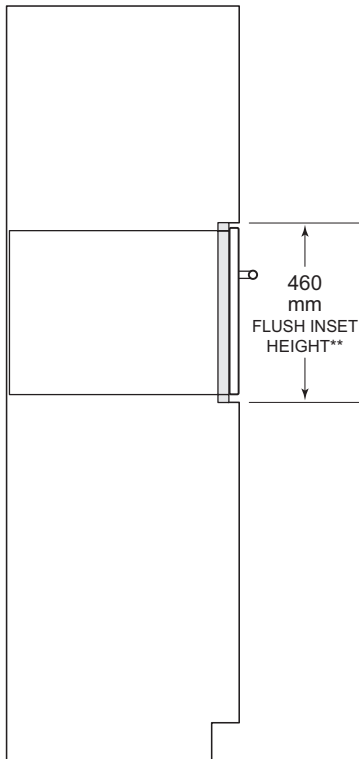
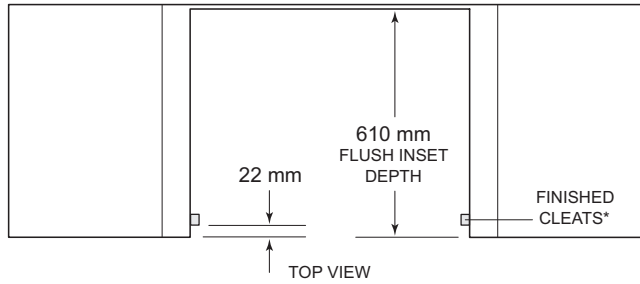
NOTE: Location of electrical supply within opening may require additional cabinet depth.

OPENING WIDTH	W
60 cm Model	553 mm
76 cm Model	727 mm

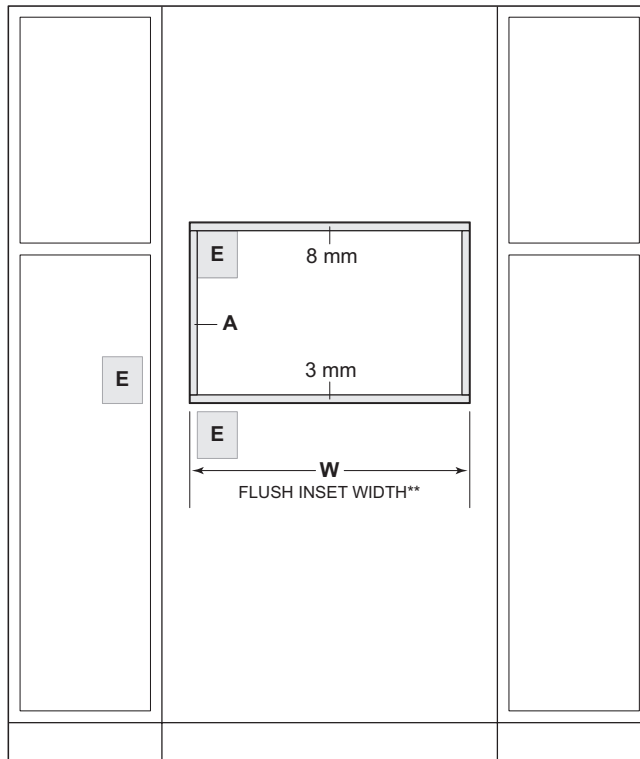
# Convection Steam Ovens

## Convection Steam Oven

### FLUSH INSET INSTALLATION



SIDE VIEW



FRONT VIEW

\*Will be visible and should be finished to match cabinetry.

\*\*Dimension provides minimum reveals.

NOTE: Location of electrical supply within opening may require additional cabinet depth.

FLUSH INSET WIDTH	W	A
60 cm Model	603 mm	25 mm
76 cm Model	765 mm	19 mm